



**PERFORM
WITH
PRECISION™**

**SYMONS SOLDIER
CONSTRUCTION BEAMS**

CONCRETE
CONSTRUCTION
SOLUTIONS

F
FORMTECH
concrete forms, inc.



SYMONS®
By Dayton Superior



The Symons Soldier system is a lightweight, yet extremely strong, construction beam system with virtually unlimited application possibilities.

Symons developed a unique hole pattern which makes the Symons Soldier adaptable to almost any forming or shoring configuration with standard components and accessories.

Versatility

The unique hole pattern and a complete line of accessories give the Soldier the versatility you expect from Symons. The Soldier system complements the advantages of standard Symons forming systems. No other form supplier can offer such a wide range of product combinations to handle a diversity of applications.

Simplicity

The ability to bolt to all the flanges adds to the efficiency of Soldier. When bolted end-to-end as a continuous beam, the connection develops the full strength of the Soldier.

Rentable

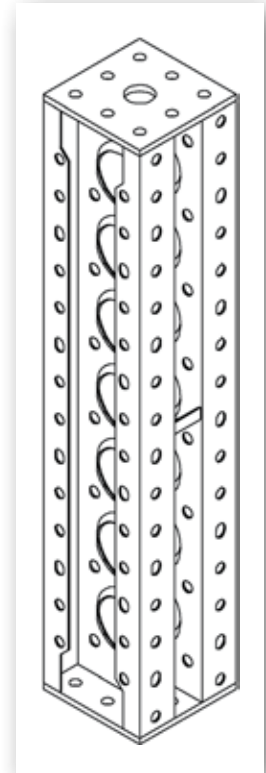
Symons Soldier beams and accessories are a rentable system, providing cost savings compared to high-priced lumber components. With Symons Soldiers, unusual requirements can be satisfied with standard components.

Durability

Symons Soldiers are fabricated with high-strength steel to provide high load capacity and long service life. They have a robust strength to weight ratio, resulting in reduced crane capacity requirements.

Practicality

Your next forming or construction dilemma could be solved efficiently with Symons Soldier. Use them as braces, walers, strong-backs, shoring, aligners, trusses or whatever the situation demands.



Symons Soldier beams permit bolting on all four flanges in addition to end and web bolt holes. The flange holes are a combination of holes and slots at 3" centers to provide dimensional adjustment and versatility.

Symons Soldier Properties

$$I_{xx} = 56.3 \text{ in}^4$$

$$I_{yy} = 27.3 \text{ in}^4$$

Soldier End Plates are high-strength steel, built square to the Soldier beam, enabling the end-to-end bolted connections to develop the full strength of the Soldier beam. It is designed to be a compression member. If used as a beam, consult Dayton Superior prior to design.

Part	Length	Weight
38900	1'-6" 457.2 mm	45 lbs. 20.41 kg
38903	2'-0" 609.6 mm	52 lbs. 23.59 kg
38917	3'-0" 914.4 mm	67 lbs. 30.39 kg
38901	4'-0" 1219.2 mm	83 lbs. 37.65 kg
38902	8'-0" 2438.4 mm	148 lbs. 67.13 kg
38904	12'-0" 3657.6 mm	212 lbs. 96.16 kg



Bracing

Symons Soldiers are ideally suited for diagonal bracing and plumbing. The ability to bolt end-to-end can create bracing lengths to fit your specific project requirement.

One-Sided Forming

Symons Soldier and Symons standard forming systems are used to create tieless one-sided wall forming schemes, providing substantial savings in time and labor costs.



Shoring

Symons Soldier and standard accessories can be combined to make towers that fit the most demanding shoring and deck support applications.



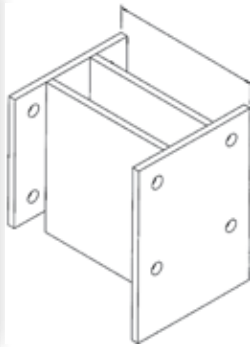
Alignment

Symons Soldier and accessories are designed for use with other Symons forming systems. Symons Soldier and Symons total product capability offers unlimited possibilities for any aligning and support application.

Walers

Symons Soldier beams are ideally suited for any waler application. When bolted to any Symons steel form system, the Symons Soldier has the capacity to handle the tallest gangs.





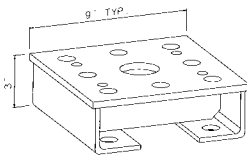
One-Sided Bracket
Used in conjunction with the Wedge and Shear Plates in one-sided wall forming applications, the One-Sided Bracket connects the Soldier beams together at the base of the forms and provides the anchor position.



Pivot Bracket
When bolted to the end of the Soldier Beam, the Pivot Bracket provides the connection between the Soldier beam brace and forming system.

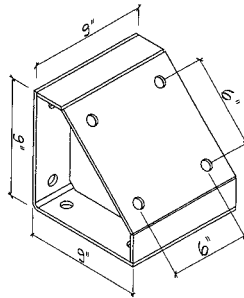


Shore Jack
The jack provides 8" of adjustment in Symons Soldier reshore applications.

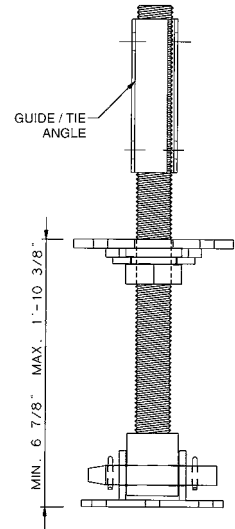


45° Bracket
The fixed 45° bracket can be used for diagonal bracing and truss configurations.

Adapter/Spacer
Bolt the 10" swivel wheel for traveling applications or use as a 3" spacer.

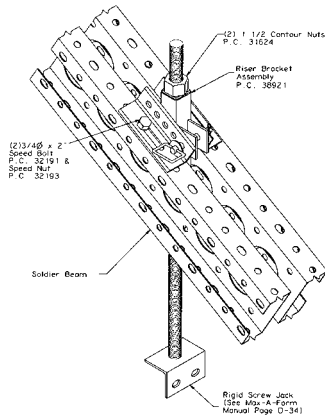


Strut Jack with Jack Base
The free-turning nut allows up to 16" adjustment, and the Jack Base pivots.



Riser Bracket

Swivel ability coupled with vertical adjustment meets most stair and seating riser conditions.

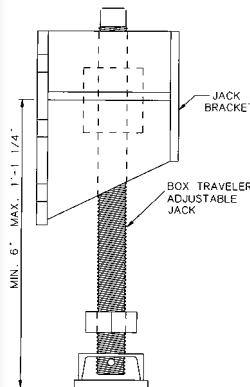


Tie Washer Plate

Plate provides bearing surface for ties and nuts in forming applications.

Attachment Angles

Bolt Soldier beams to Max-A-Form® or Versiform® gangs.

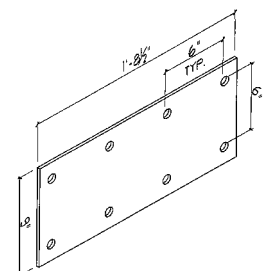
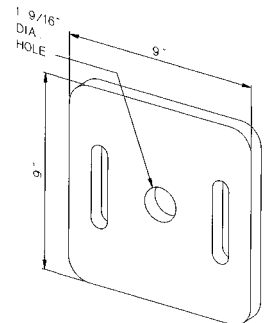


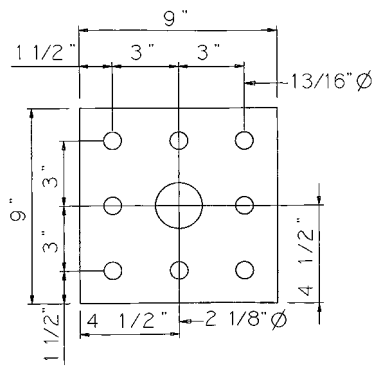
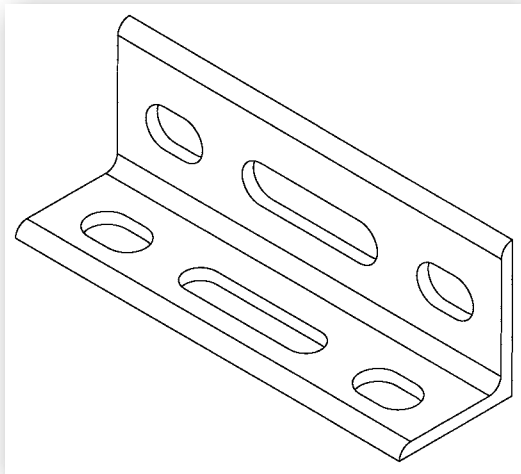
Jack Bracket

Bracket is used in one-sided applications for aligning and leveling the support frame and form gang.

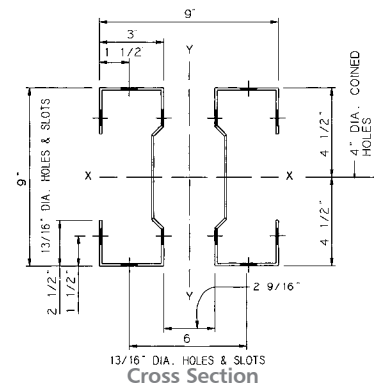
Lap Splice Plate

Splice from beam-to-beam in truss applications.

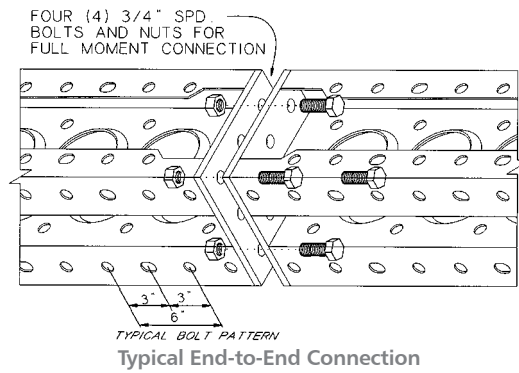




End Plate



Cross Section



Typical End-to-End Connection





DAYTON[®]
SUPERIOR

**PERFORM
WITH
PRECISION™**

F
FORMTECH
concrete forms, inc

48575 Downing Street
Wixom, MI 48393
800.876.4857 | info@formtechinc.com
formtechinc.com

SYM92299
06/16

Copyright © 2016 Dayton Superior Corporation, All Rights Reserved.

Give us a call at any of our branch locations, email us at info@formtechinc.com, or click on formtechinc.com/quote to get a quote. Our experienced Form Tech representatives will answer your questions, and help you get your project started with some of the best concrete forming, shoring, and accessory products in the industry, backed by a professional and detail-oriented staff.



Charleston, SC

7377 Peppermill Lane
North Charleston,
SC 29418
843.628.3434



Detroit, MI

Corporate Headquarters
975 Ladd Road
Walled Lake,
MI 48390
Branch: 248.344.8260
Corporate: 248.344.8265



Charleston, WV

161 Industrial Road
St. Albans,
WV 25177
304.722.6804



Pittsburgh, PA

2850-A Kramer Road
Gibsonia,
PA 15044
412.331.4500



Charlotte, NC

1000 Thomasboro Road
Charlotte,
NC 28208
704.395.9910



Raleigh, NC

115 Peffinder Lane
Raleigh,
NC 27603
919.833.0911



Cleveland, OH

20801 Miles Road
North Randall,
OH 44128
216.692.0497



TRUSTED FORMWORK & ACCESSORY SPECIALISTS

800-876-4857 | info@formtechinc.com | formtechinc.com