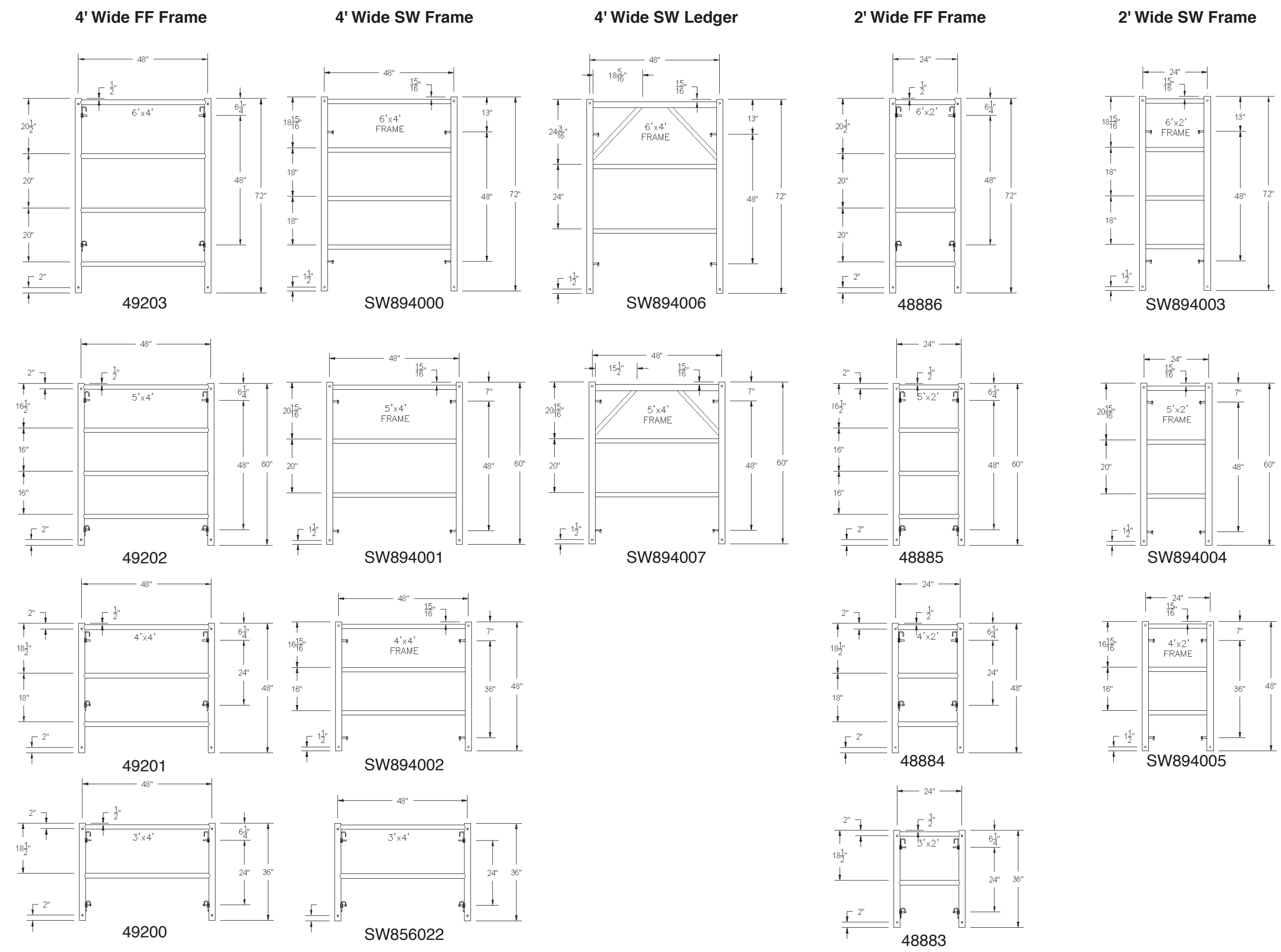
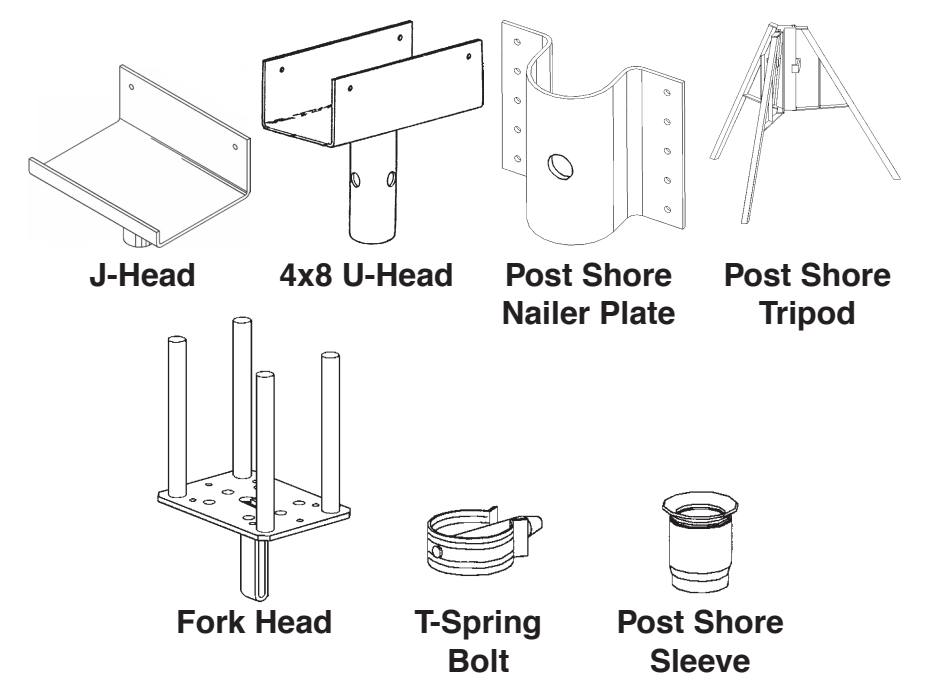


FRAMEFAST™ AND SAFWAY™ FRAMES

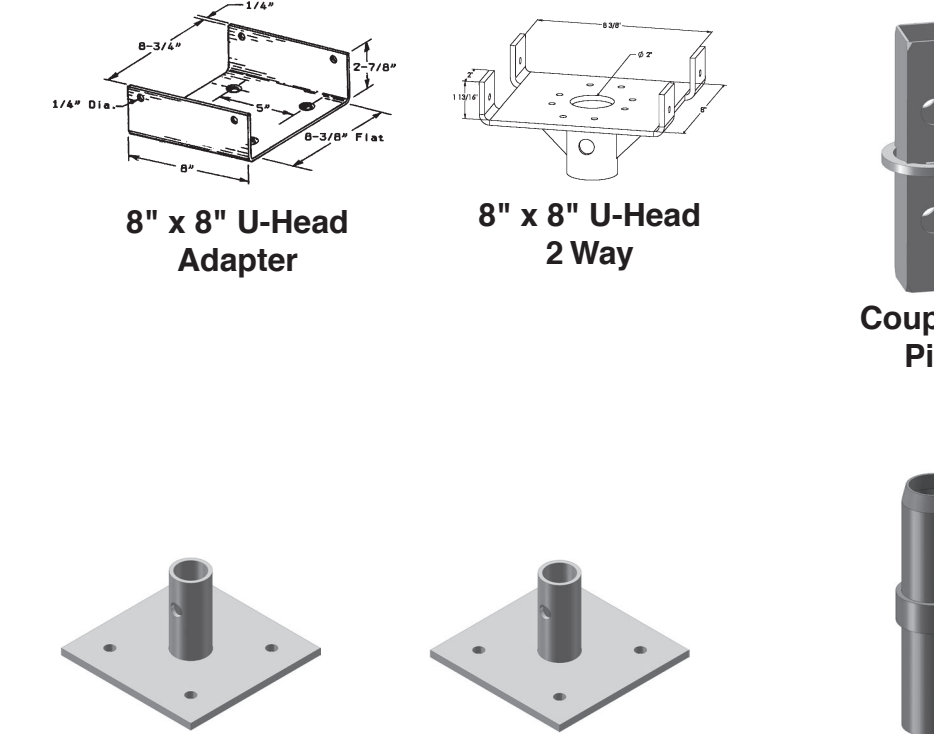


POST SHORE ACCESSORIES

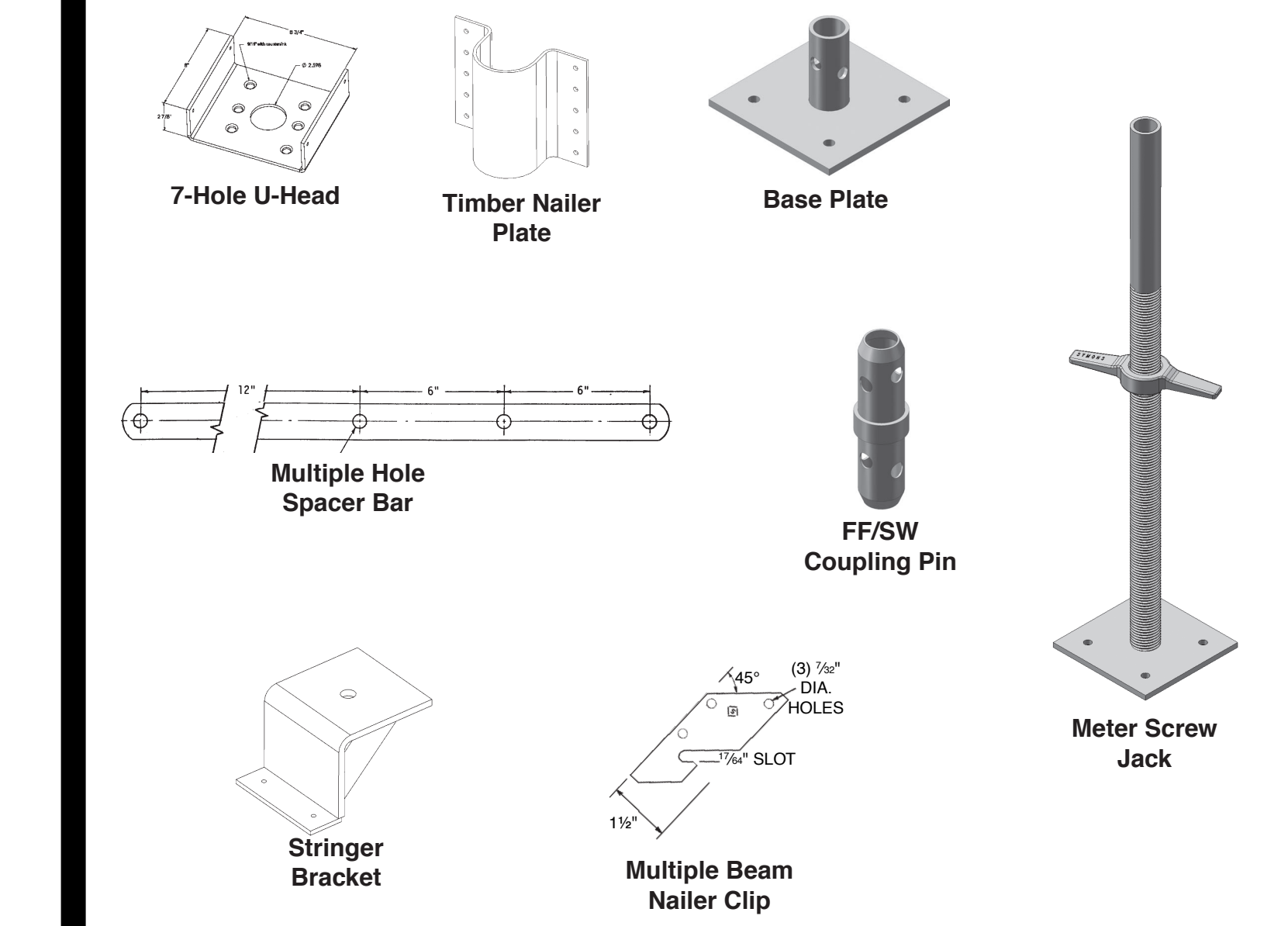


Post Shore Accessories	Product Code	Weight (lbs)
J-Head	48437	4.2
4x8 U-Head	49208	5
Post Shore Nail Plate	48511	2
Post Shore Tripod	SW450016	26.1
Fork Head	SW866036	6.6
T-Spring Bolt	SW450020	0.3
Post Shore Sleeve	SW450019	0.7

DISCONTINUED ITEMS



FRAME ACCESSORIES

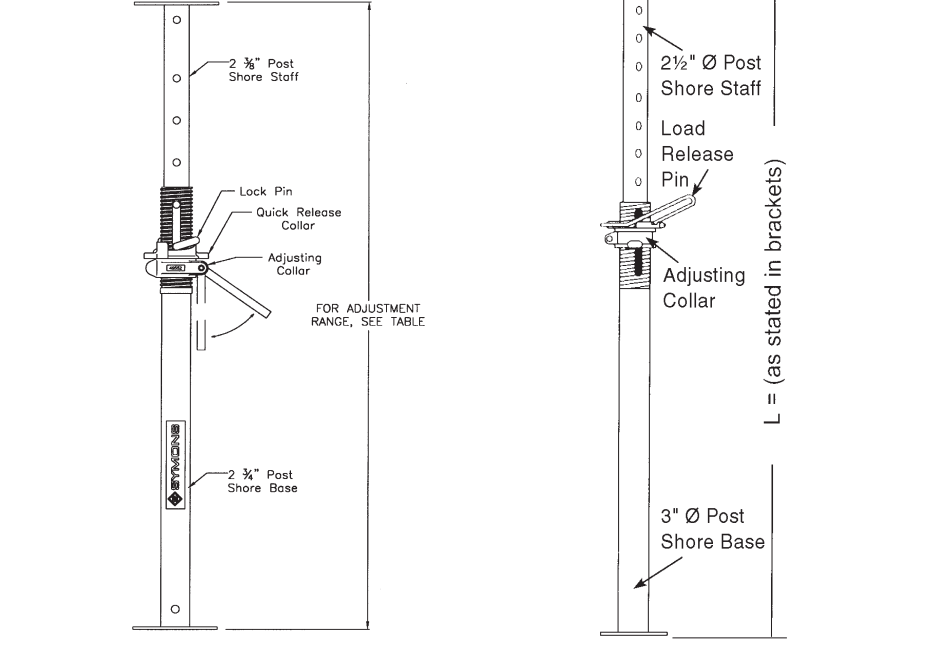


Components	Product Code	Weight (lbs)
7-Hole U-Head Adapter (for MSJ and SFS)	49828	7.5
Timber Nail Plate (2 3/4\"/>		

Other Accessories	Product Code	Weight (lbs)
A Guardrail Bracket	12901041	30
4\"/>		

Repair Parts	Product Code	Weight (lbs)
Meter Screw Jack Retrofit Handle	48343	2
Posilock Assembly (for some FF frames)	49758	0.54
Speed Lock Assembly	903004	0.54

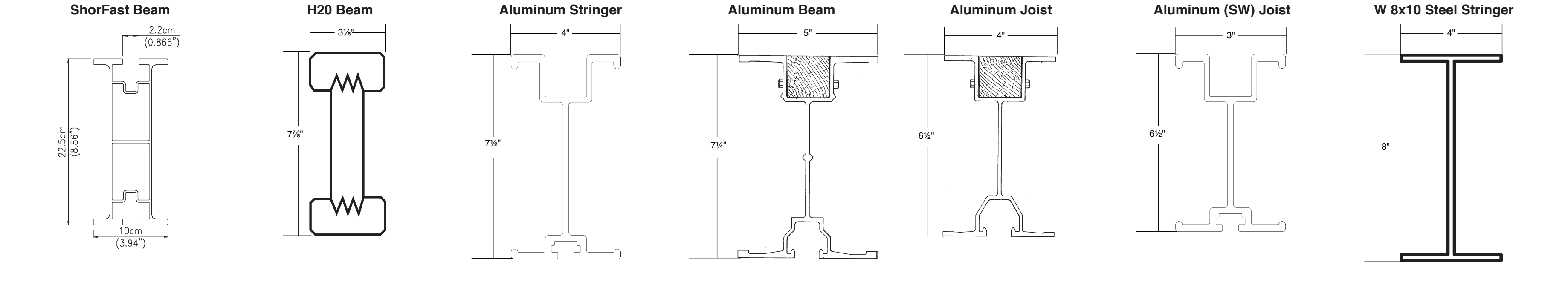
HEAVY AND MEDIUM DUTY POST SHORES



Heavy-Duty Post Shore - 10,000 Lb. Capacity	Product Code	Weight (lbs)
#1 Post Shore (5\"/>		

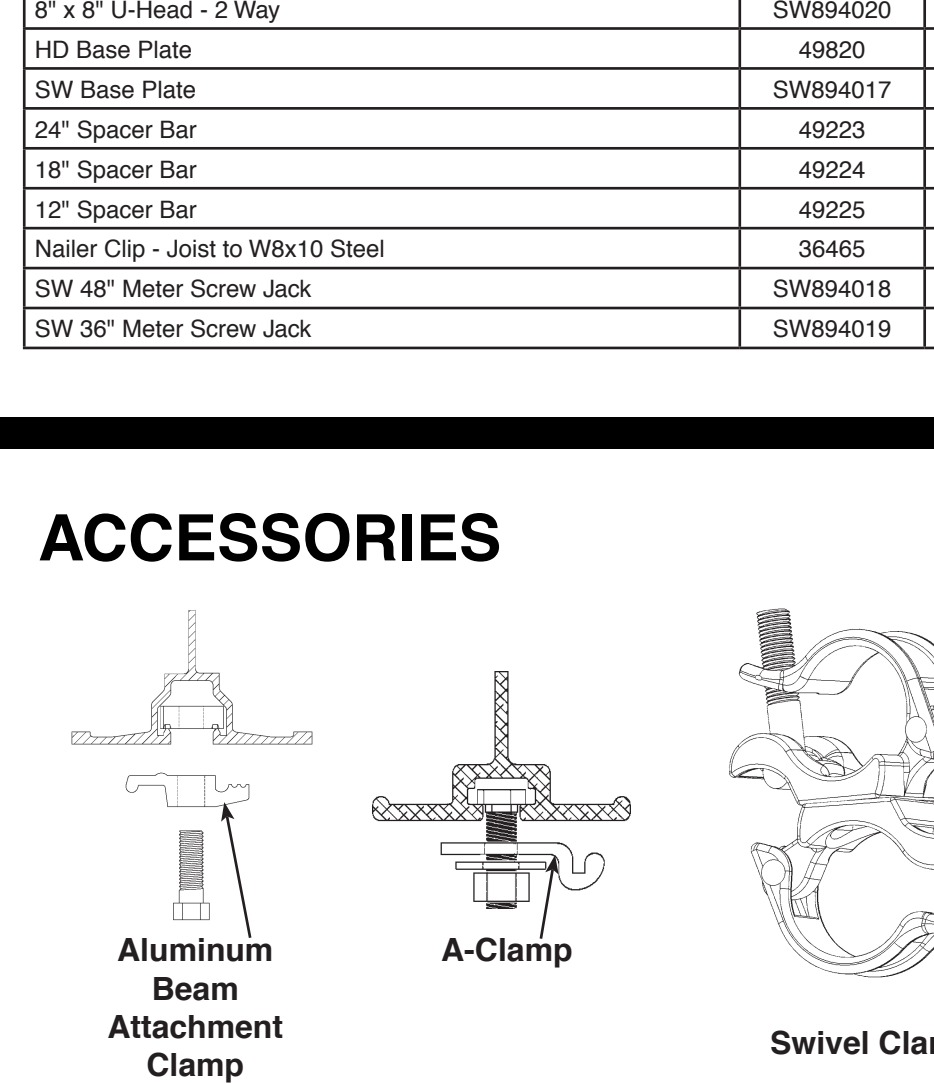
Medium-Duty Post Shore	Product Code	Weight (lbs)
350 Post Shore (6\"/>		

BEAMS AND JOISTS



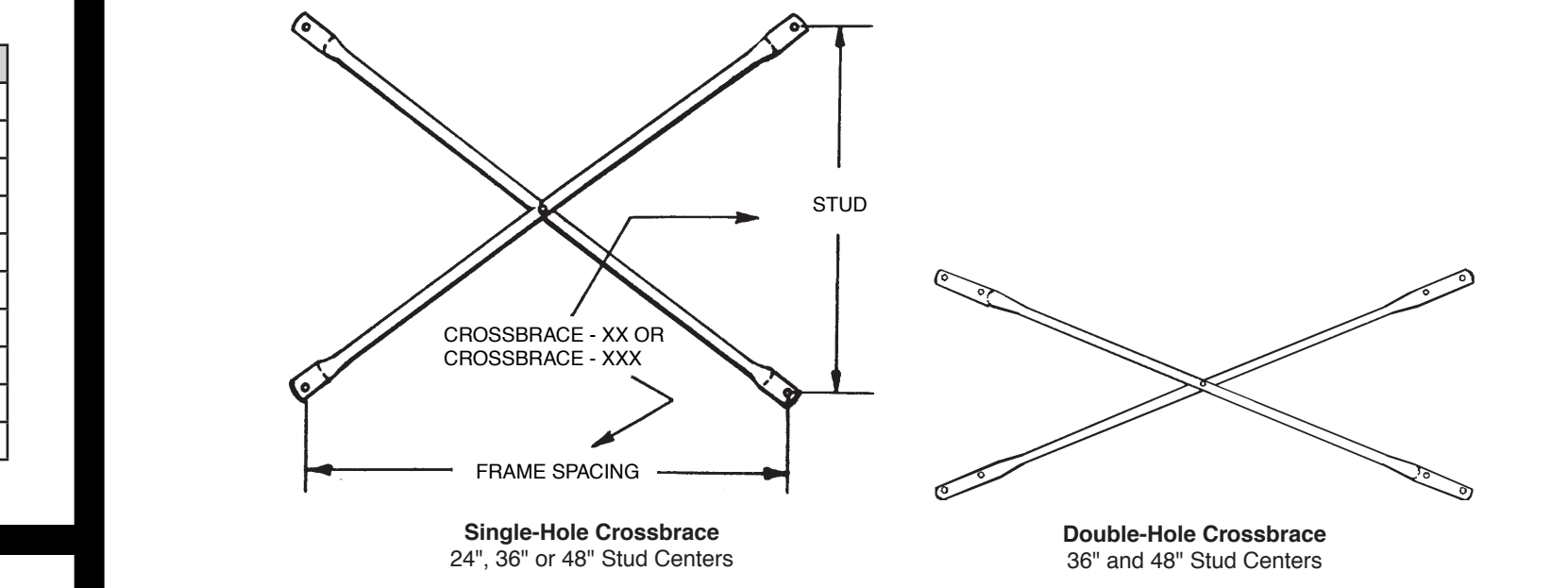
ShorFast Beams	Product Code	Wt. (lbs)	H20 Wood Beams	Product Code	Wt. (lbs)	Alum. Stringers	Product Code	Wt. (lbs)	Aluminum Beams	Product Code	Wt. (lbs)	Aluminum Joists	Product Code	Wt. (lbs)	Aluminum SW Joists	Product Code	Wt. (lbs)	Steel Stringers	Product Code	Wt. (lbs)
1.0 M (3\"/>																				

ACCESSORIES



ACCESSORIES	Product Code	Weight (lbs)
Steel Beam Clamp (Stringer to U-Head)	49985	1.9
1/2\"/>		

CROSSBRACES



Single-Hole Crossbraces	Product Code	Wt. (lbs)	Single-Hole Crossbraces	Product Code	Wt. (lbs)
24\"/>					

Single-Hole Crossbraces	Product Code	Wt. (lbs)	Double-Hole Crossbraces	Product Code	Wt. (lbs)
36\"/>					

Give us a call at any of our branch locations, email us at info@formtechinc.com, or click on formtechinc.com/quote to get a quote. Our experienced Form Tech representatives will answer your questions, and help you get your project started with some of the best concrete forming, shoring, and accessory products in the industry, backed by a professional and detail-oriented staff.



Charleston, SC

7377 Peppermill Lane
North Charleston,
SC 29418
843.628.3434



Detroit, MI

Corporate Headquarters
975 Ladd Road
Walled Lake,
MI 48390
Branch: 248.344.8260
Corporate: 248.344.8265



Charleston, WV

161 Industrial Road
St. Albans,
WV 25177
304.722.6804



Pittsburgh, PA

2850-A Kramer Road
Gibsonia,
PA 15044
412.331.4500



Charlotte, NC

1000 Thomasboro Road
Charlotte,
NC 28208
704.395.9910



Raleigh, NC

115 Peffinder Lane
Raleigh,
NC 27603
919.833.0911



Cleveland, OH

20801 Miles Road
North Randall,
OH 44128
216.692.0497



TRUSTED FORMWORK & ACCESSORY SPECIALISTS

800-876-4857 | info@formtechinc.com | formtechinc.com